

## Product information sheet NAYA XL 9

Item no. 521819

### Benefits

---



- Generous bowl for multiple works in and around the sink
- Soft internal corners in the bowl for easy cleaning
- Mindful shape that integrates nicely within the kitchen design
- Continuous ledge frames the water area and protects the worktop from water splashes

### Colours

---



Available colours:

- black
- anthracite
- rock grey
- white
- tartufo
- coffee

SILGRANIT tartufo

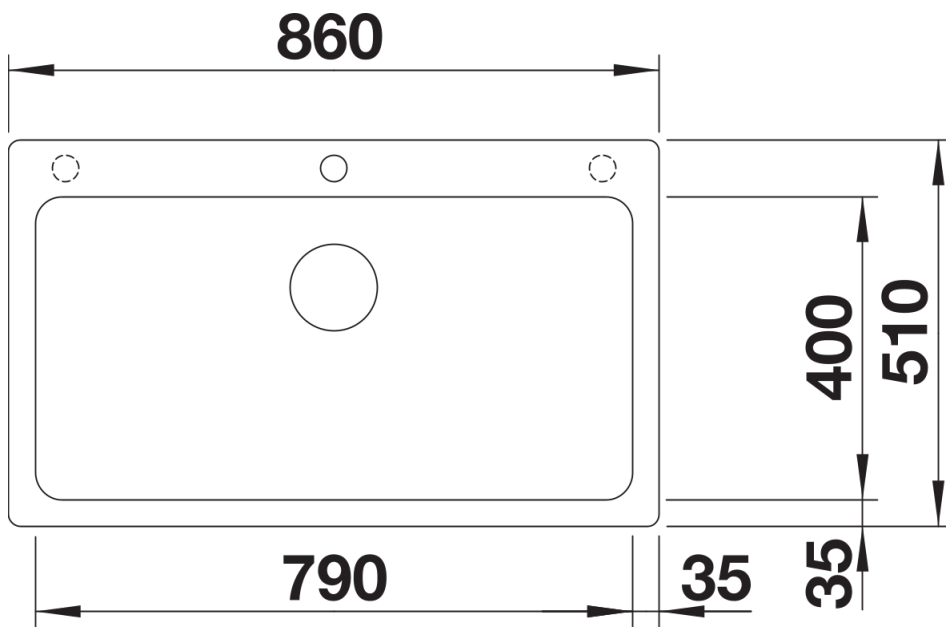
## Scope of supply

---

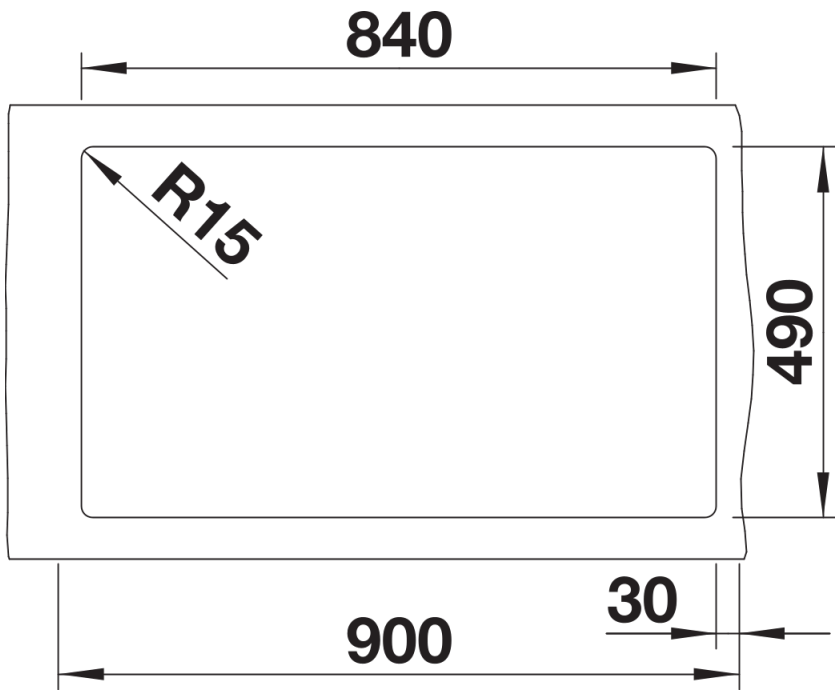
- waste kit with space-saving pipe
- 3 ½" basket strainer

## Details

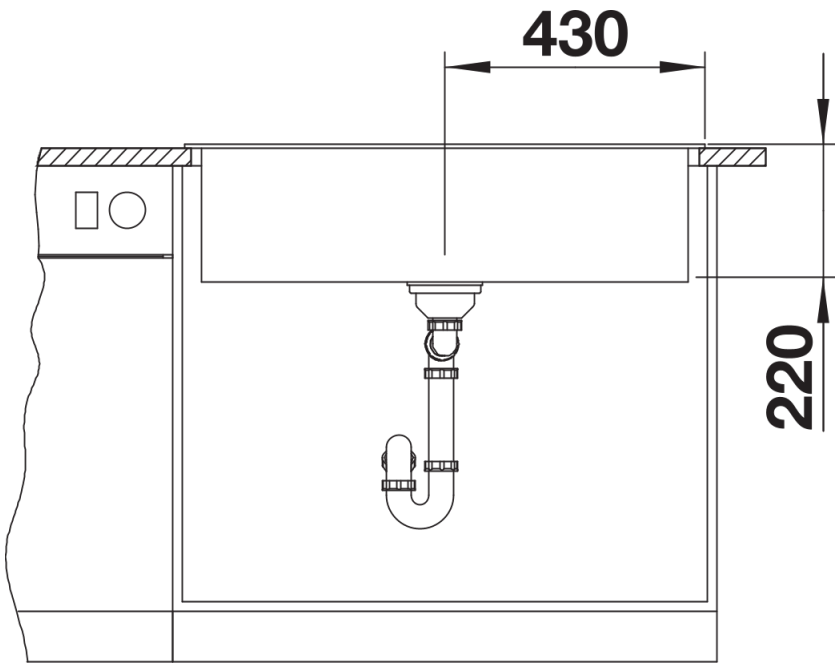
---



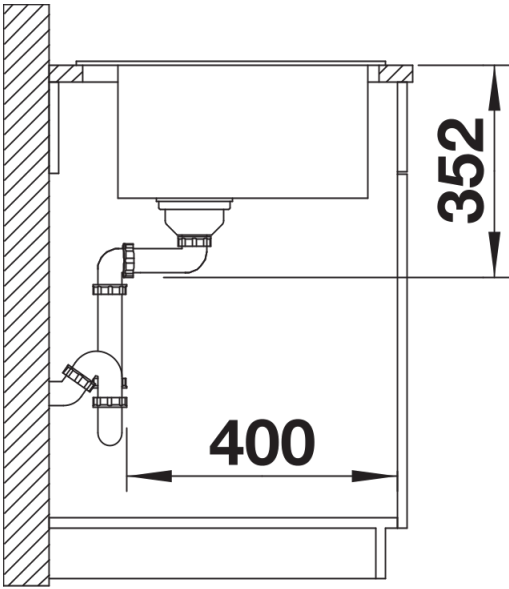
Top view



Cut-out



Front view



Side view