

Product information sheet SUBLINE 500-F

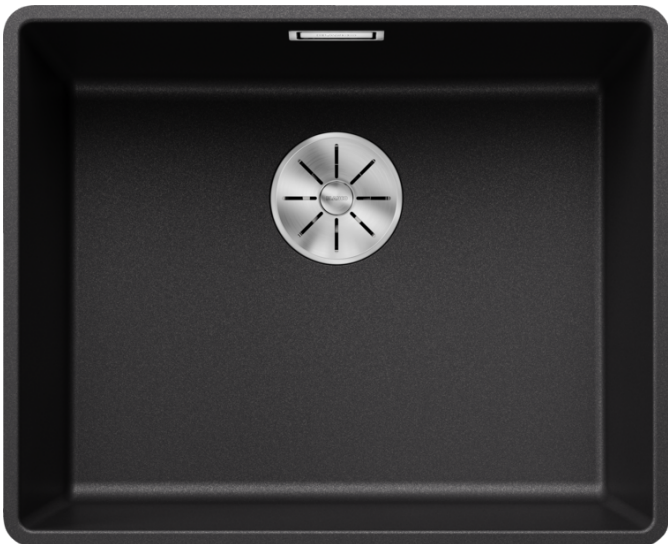
Item no. 523532

Benefits



- Bowls for modern kitchen designs
- Timelessly elegant, contoured bowl design
- High-quality features with covered C-overflow and InFino drain system – elegantly integrated and easy-care
- Optional versatile accessories are available

Colours



Available colours:

- black
- anthracite
- rock grey
- volcano grey
- white
- soft white
- coffee

SILGRANIT anthracite

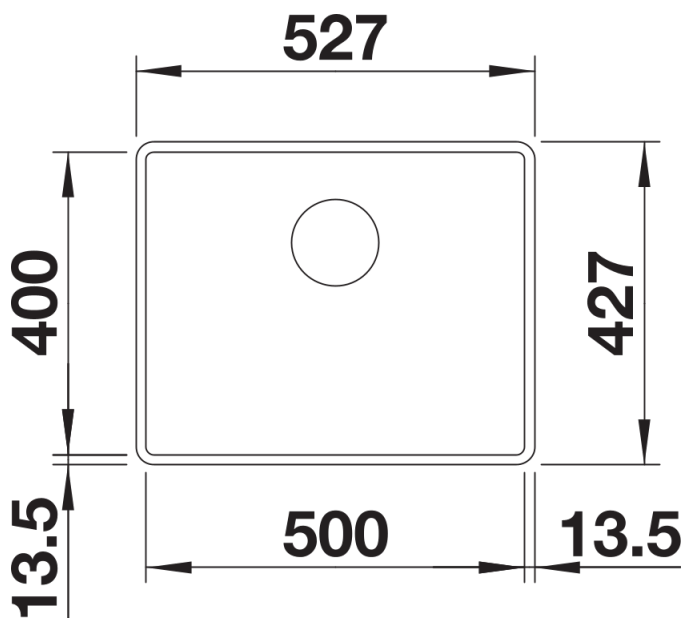
Planning information

- For worktop thicknesses of 15 mm and over, a space for the overflow must be cut out on the underside.
- Model-related detailed dimensions and drawings can be found with the cut-out information online at www.blanco.com.

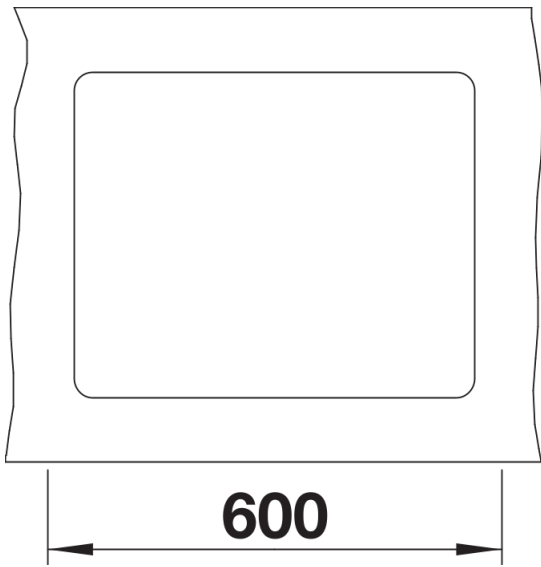
Scope of supply

- waste kit with space-saving pipe
- 3 ½" InFino basket strainer

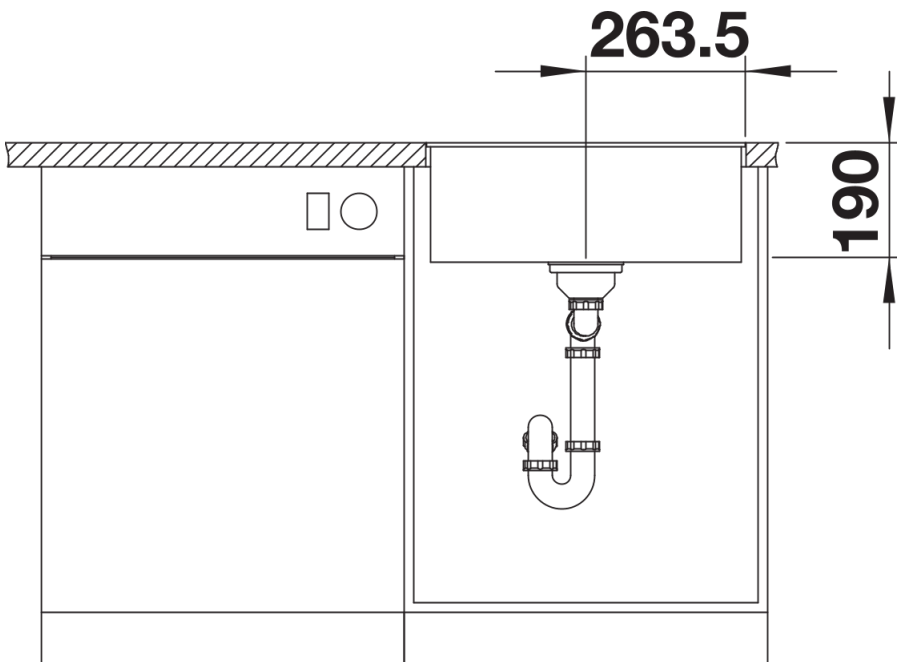
Details



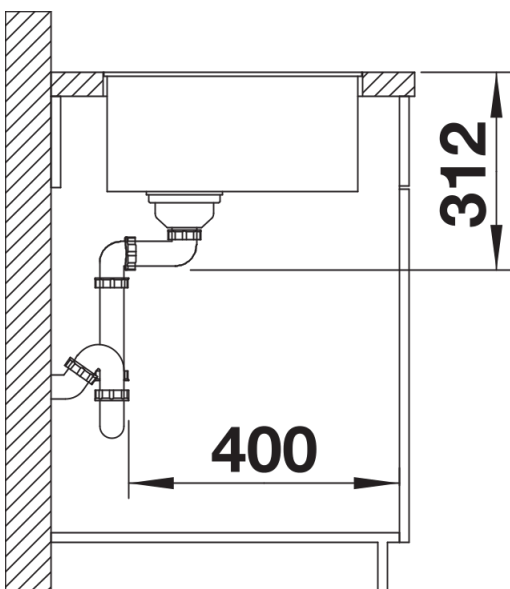
Top view



Cut-out



Front view



Side view